



## RD27

### Tandem Rollers

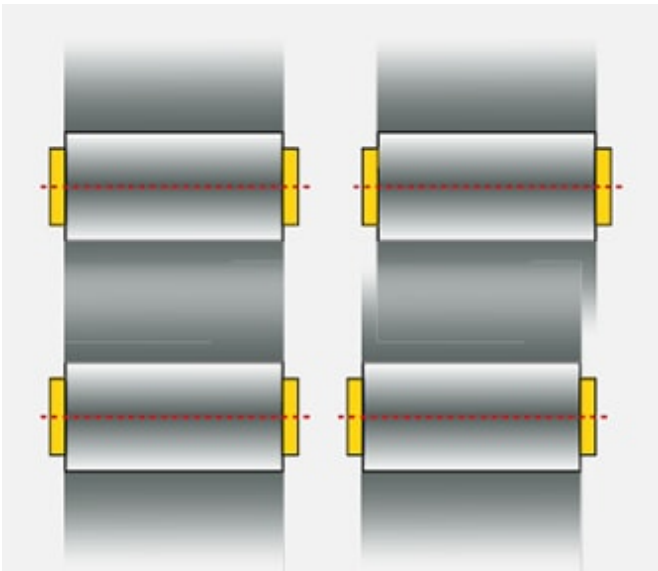


#### Perfect view – perfect performance: RD27

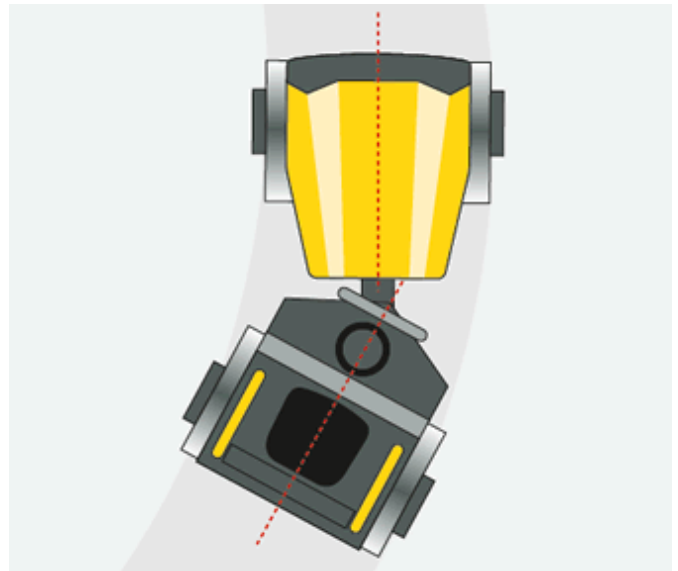
Due to the specially tapered design of the articulated tandem-axle rollers, the operator always has the drum edges, the machine environment and the job site in view. This ensures ideal compaction results. The ergonomic operator's platform, the vibration-reduced driver's cabin and the 3-point articulated joint provide for maximum driving comfort. In crab steering mode, you can also easily compact in narrow edge areas or along curbs.

- Optimal visual conditions due to the slim design
- Edge pressing and cutting equipment for a clean edge of the paths
- Safe ROPS (Roll Over Protective Structure) that can be folded back for transport
- Installed articulated pendulum joint ensures for uniform compaction, a high level of maneuverability and a high level of driving stability
- Three model versions: Tandem-axle roller with 2 vibrating drums, combination roller or tandem-axle roller with oscillating drum

#### Crab steering



#### Articulated pendulum joint

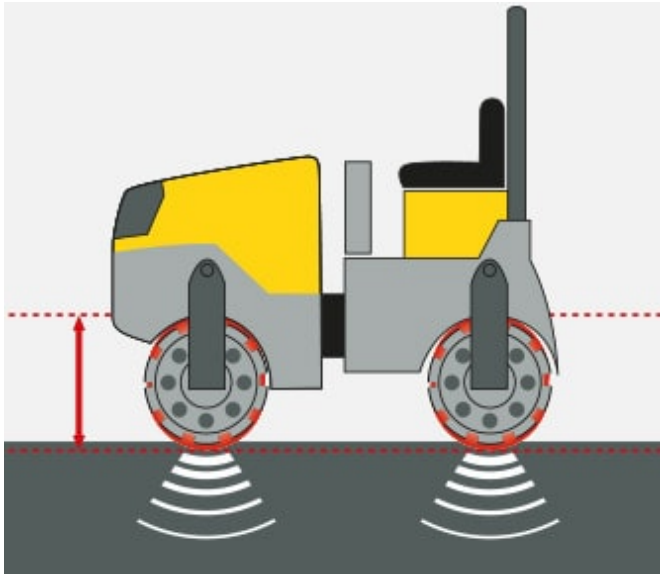




**The drum offset** allows for easy maneuvering when compacting along walls. In crab steering, the roller can be conveniently controlled in any desired direction.

**Uniform compaction, optimal driving stability:** The three-point articulated pendulum joint ensures a uniform weight distribution on the front and rear drum at all times. This also improves the maneuverability and provides for maximum stability when turning curves.

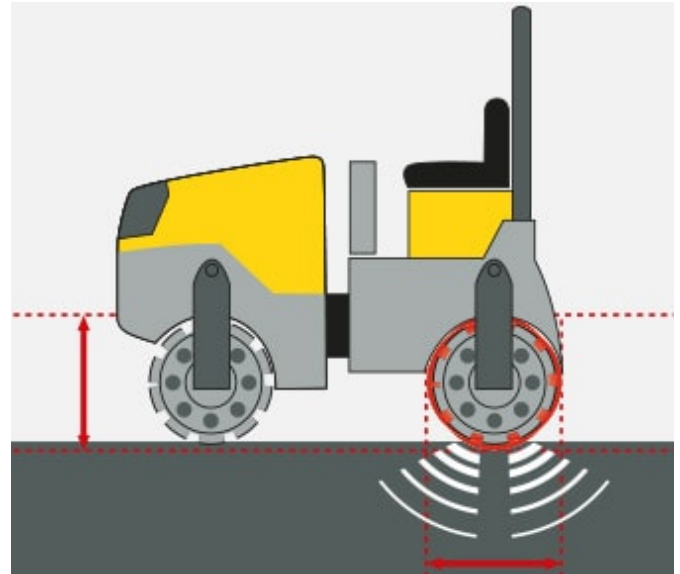
#### Vibrating drum



**Ideal for all traditional compaction work.**

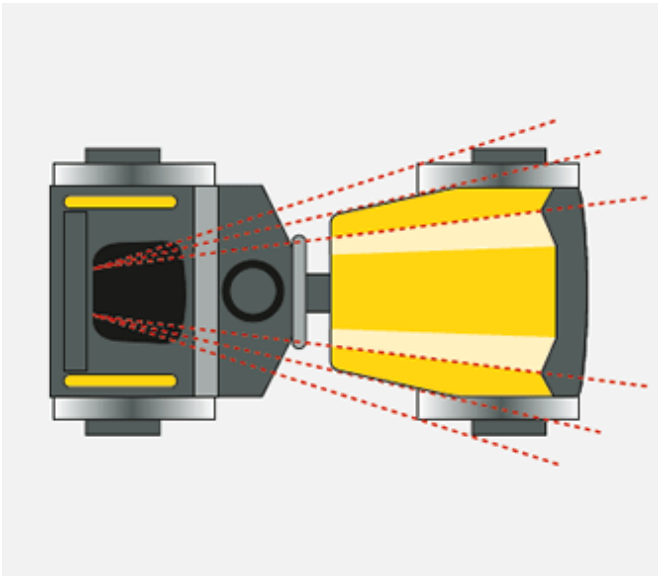
The vibrating drum optimally oscillates the material to be compacted with quick successive vertical forces. The built-in eccentric weight provides for a fast rotation and an excellent compaction performance.

#### Oscillating drum



**Flawlessly compacts even asphalt at low temperatures.  
Perfectly suited for the compaction of seams (hot to cold).  
Trouble-free operation on bridges.**

Rollers with an oscillating drum compact with a high efficiency, since the drums maintain permanent contact with the ground. With its two synchronous rotating eccentric weights, the drum uses forward and reverse movements to direct its entire compaction force into the ground.



#### Optimal view

**Everything is perfectly within view:** With the specially designed, tapered design of the roller, you always have an excellent view of the drum edges, the machine environment and the job site.



#### Service network

We are always there for you: Thanks to our close-knit service network, you can always rely on our quick support.



#### First-class compaction performance

Regardless of which of our models you choose – one thing is certain: You will be impressed with the compaction performance of our rollers. Guaranteed!



#### Finely tiered model selection

Different tonnages and a diverse selection of tandem-axle rollers with vibration and oscillating drums as well as combination rollers: Choose exactly the model that you need for your project.



#### Built-in user comfort

All of the Wacker Neuson models can be easily operated for particularly pleasant work.



**WACKER  
NEUSON**  
*all it takes!*



#### **iF Design Award 2016**

The tandem roller series RD won the iF Design Award 2016 in the product category. The RD series convinced above all by the clearly structured operating elements and the intuitive handling, which is supported by the design.



## Technical specifications

	RD27-120	RD27-120 C	RD27-120 O
<b>Operating data</b>			
Operating weight with ROPS kg	2,695	2,595	2,755
Operating weight max. kg	3,410	3,320	3,470
L x W x H mm	2,460 x 1,310 x 2,390	2,460 x 1,310 x 2,390	2,460 x 1,310 x 2,390
Drum width mm	1,200	1,200	1,200
Drum diameter mm	720	720	720
Operating width mm	1,250	1,220	1,250
Ground clearance middle mm	280	280	280
Drum type front	smooth / undivided	smooth / undivided	smooth / undivided
Drum type rear	smooth / undivided	tires	smooth / undivided
Axle load front kg	1,335	1,340	1,335
Axle load rear kg	1,360	1,255	1,420
Curb clearance mm	55	55	55
Centrifugal force level I kN	52	52	52
Centrifugal force level II kN	32	32	32
Frequency level I Hz	67	67	67
Frequency level II Hz	52	52	52
Amplitude mm	0.52	0.52	0.52
Oscillation frequency level I Hz			39
Oscillation frequency level II Hz			30
Tangential amplitude mm			1.14
Oscillation force level I kN			40
Oscillation force level II kN			23
Linear force - front / rear static N/mm	11.2 / 11.4	11.2 / 0	11.2 / 11.8
Advance travel max. m/min	200	200	200
Gradeability with vibration %	30	30	35
Gradeability without vibration %	40	40	40
Turning radius inside mm	2,370	2,370	2,370
<b>Engine / Motor</b>			
Engine / Motor type	3-cylinder diesel engine	3-cylinder diesel engine	3-cylinder diesel engine
Engine / Motor manufacturer	Kubota	Kubota	Kubota
Engine performance ISO 14396 kW	22.9	22.9	22.9



**WACKER  
NEUSON**  
*all it takes!*

	RD27-120	RD27-120 C	RD27-120 O
Tank capacity fuel l	42	42	42
Tank capacity water l	180	180	180

**Please note**

that product availability can vary from country to country. It is possible that information / products may not be available in your country. More detailed information on engine power can be found in the operator's manual; the stated power may vary due to specific operating conditions.

Subject to alterations and errors excepted. Applicable also to illustrations.

Copyright © 2018 Wacker Neuson SE.